



Quick Assembly Guide
Road Bikes

TREK

! **IMPORTANT:** This assembly guide is not a replacement for the Trek Owner's Manual or other instructions required for your bicycle. The owner's manual comes in the box and can also be found at trekbikes.com/manuals.

▶ Watch the assembly video here:
trek.bike/build_a_bike > Road bikes



⚠ **WARNING:** You add to the risk of injury if you use your bicycle in an incorrect manner. Misuse can add stress to the bike and cause wear on the frame or components. To decrease the risk of injury, you should use the bicycle in the manner for which it was designed.

This is gonna be awesome

Congrats on your new ride! Ready to build 'er up? Whether you're a first-time bike builder, an experienced torque-wrencher, or somewhere in between, this Assembly Guide will talk you through every step of the process.

Before you get started, take a look at the included parts section to make sure everything's there, give each step a quick read-through, and watch the assembly video. Then, roll up your sleeves, take a deep breath, and start with step one. You got this!

If you need a little extra support while you're building, we've got you covered. Just give us a call or visit your local Trek retailer. You'll be on the road in no time.



Included

- 1 Preset torque wrench
- 2 Pedal wrench
- 3 Pedals (may not be included)
- 4 Bicycle owner's manual
- 5 1oz grease packet
- 6 Faceplate bolts and washers
- 7 Faceplate(s)

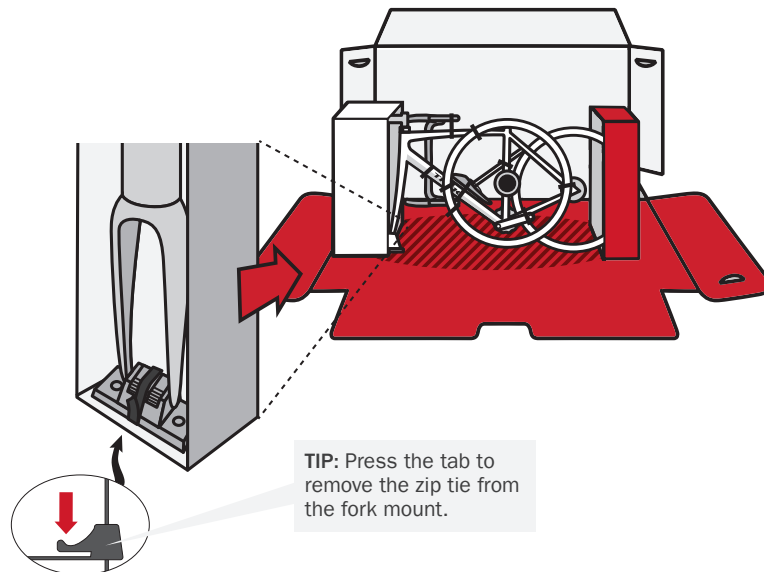
Not included



Air pump

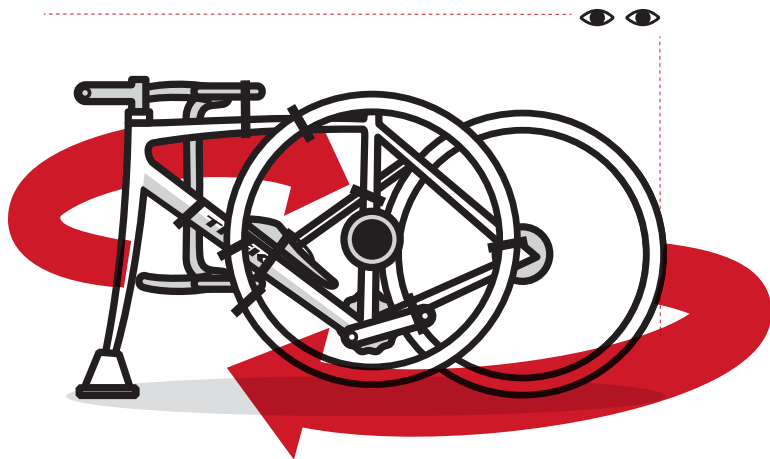


Remove the packaging and slide the bike out of the box.



2

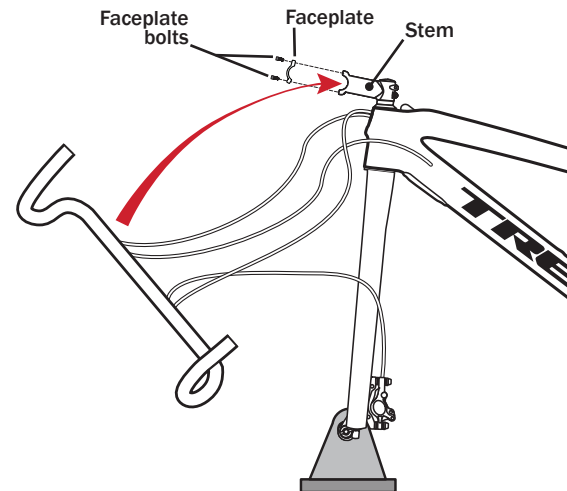
Check the bike for shipping damage and make sure all parts are included.

**3**

Install the handlebar.

1. Place the handlebar in the stem and attach the faceplate bolts, washers, and faceplate.
2. Tighten the faceplate bolts a few turns — do not fully tighten the bolts.

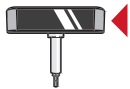
IMPORTANT: Make sure the cables are not pinched, twisted, or routed over the stem.



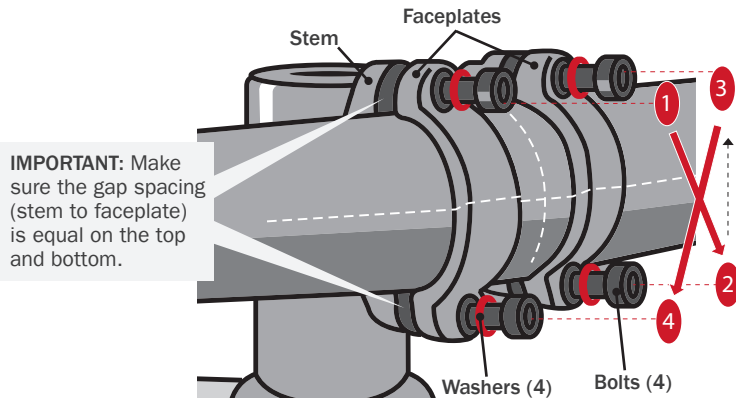
4

Tighten the faceplate bolts.

1. Using the guidemarks on the handlebar, center and adjust the angle of the handlebar.
2. Tighten the four bolts — a few turns at a time in an X-pattern — until you feel the tool click.



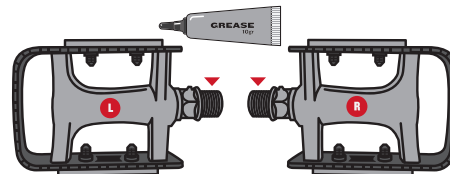
NOTE: If you have a two-bolt faceplate, alternate tightening between the top and bottom bolts.



5

Install the pedals.

1. Lubricate the pedal threads with 1-2 drops of the grease provided.
2. Hand tighten the pedals onto the crank arms. Make sure you tighten the nut and not the pedal itself.
 - Right pedal (R) — tightens clockwise
 - Left pedal (L) — tightens counterclockwise

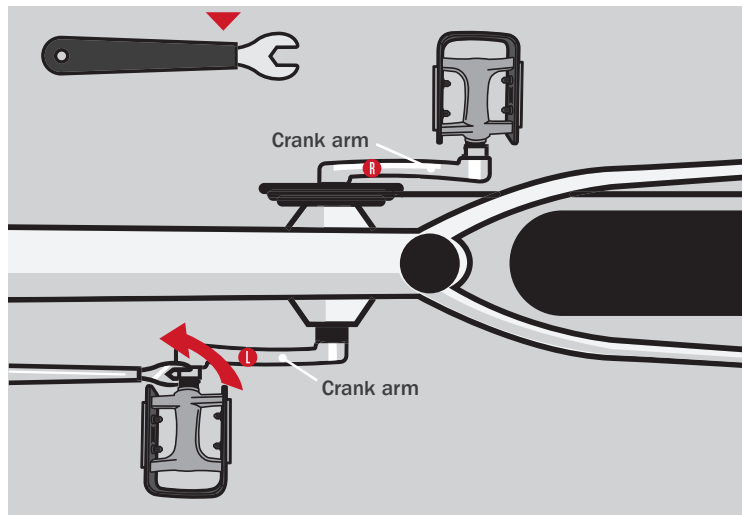


⚠ WARNING: The chainring has sharp points. Be careful when working around the chainring. Failure to do so may result in cut or pinched skin.

6

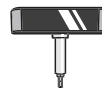
Fully tighten the pedals with the pedal wrench.

TIP: Both pedals tighten towards the front of the bike.

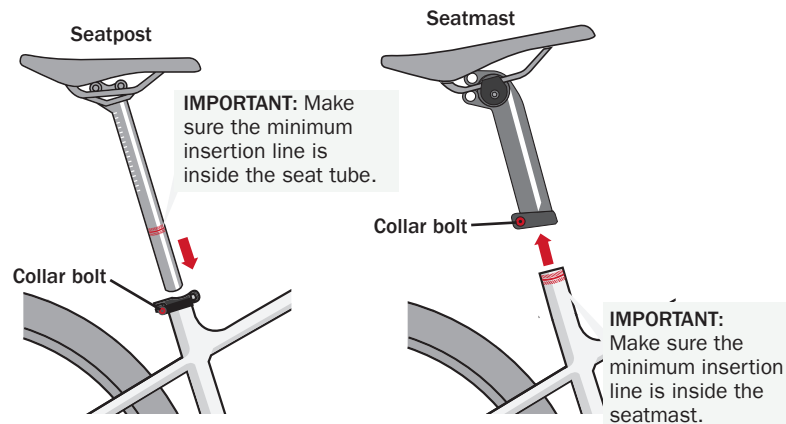
**7**

Install the seatpost into the seat tube.

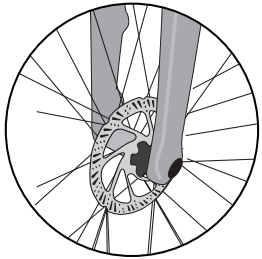
1. Install the seatpost/seatmast.
2. Align the seat with the top tube.
3. Use the torque key to tighten the seatpost collar until you feel the tool click.



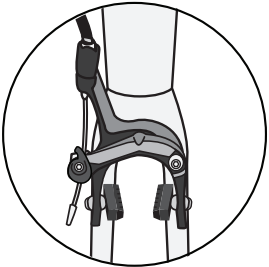
NOTICE: Do not use grease on carbon frames or seat tubes. Standard grease can damage carbon.



Install the front wheel.



Disc brakes: Steps 8-9

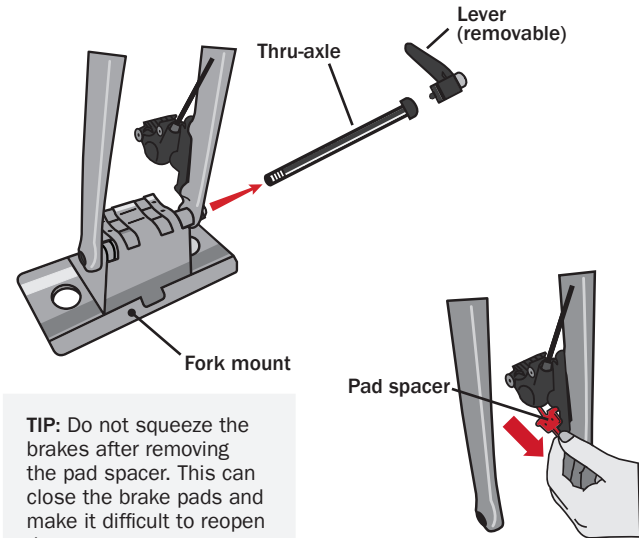


Rim brakes: Steps 10-11

8

Disc brakes: Remove the fork mount and pad spacer.

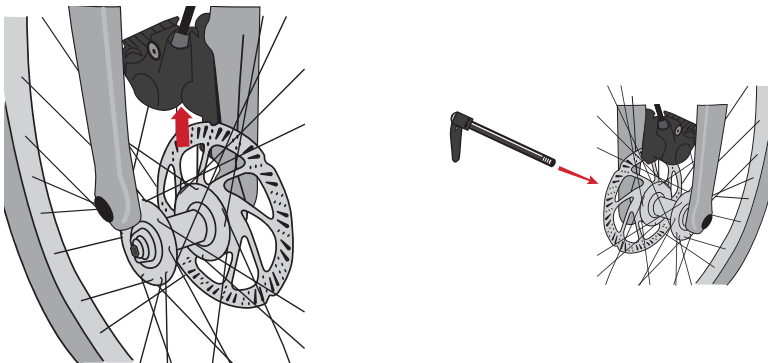
1. Turn the lever counterclockwise to disconnect the axle. Pull the thru-axle out of the fork mount.
2. Remove the fork mount.
3. Remove the pad spacer from between the brake pads.



TIP: Do not squeeze the brakes after removing the pad spacer. This can close the brake pads and make it difficult to reopen them.

9**Disc brakes: Install the front wheel.**

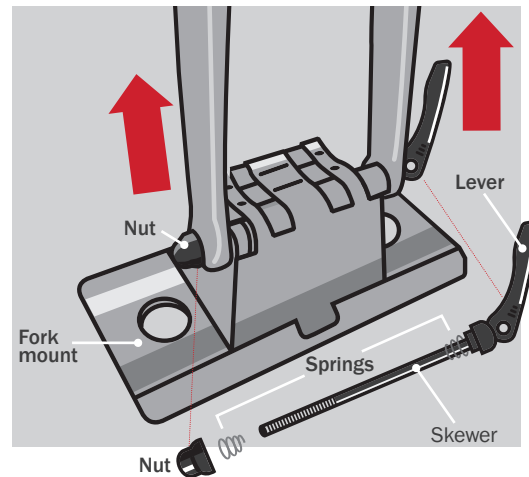
1. Lift the front of the bike, insert the rotor into the disc brake, and fit the hub into the fork.
2. Insert the axle into the hole in the fork and through the hub.
3. Turn the lever clockwise to thread the thru-axle into the opposite fork. Hand tighten it securely to fully install the axle.



Go to Step 12

12**10****Rim brakes: Remove the fork mount.**

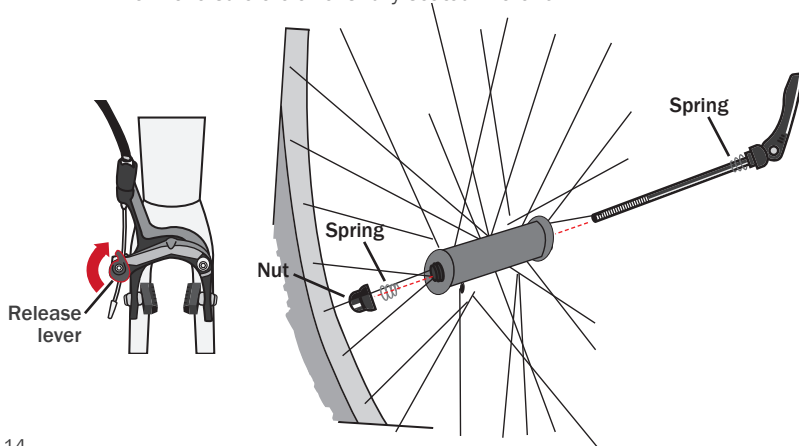
1. Open the lever and turn the nut counterclockwise to disconnect and remove the quick release axle (skewer, two springs, nut).
2. Remove the fork mount.





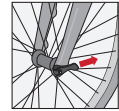
Rim brakes: Install the front wheel.

1. Make sure the brake release lever on the brake is open.
2. Insert the skewer with a spring through the front wheel hub.
3. Put the other spring (small end first) on the skewer and screw on the nut three turns.
4. Lift the front of the bike and insert the front wheel axle into the spaces at the bottom of the fork. Set the bike down.
5. Make sure the quick release lever is on the same side as the rear wheel quick release lever.
6. Make sure the axle is fully seated in the fork.

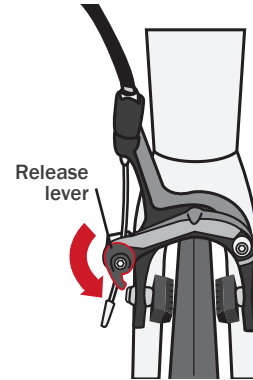


Rim brakes: Install the front wheel (continued).

7. Facing the bike, place the front wheel between your legs. Start to tighten the nut with the quick release lever open. After you feel resistance in the lever, close the quick release lever towards the rear of the bike.
8. Close the brake release lever.



Lever faces rear of bike



⚠ WARNING: Securely clamping the wheel with a quick release system takes considerable force. If the wheel is not properly secured, the wheel can become loose or fall off which may cause serious injury.

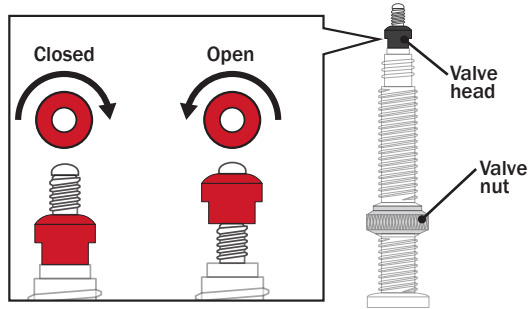
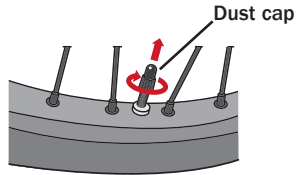
IMPORTANT:

1. The nut should be tightened enough that you need to wrap your fingers around the fork to close the lever.
2. The motion of the lever should have some resistance when it's about half way closed.
3. If the lever moves too easily, release the lever, tighten the nut, and try closing the lever again.
4. The lever should leave a clear imprint in your palm, and the nut should emboss the surface of the fork.

12

Inflate both tires.

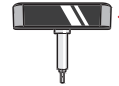
1. Remove the dust cap.
2. Presta only — rotate the valve head counterclockwise to open it.
3. Inflate both tires to within the range listed on the tire.
4. Presta only — rotate the valve head clockwise to close it.
5. Put the dust cap back on the valve.



13

Adjust the seat height.

1. Put the bike next to a wall for support.
2. Sit on the seat to test the seat height. Your knee should be slightly bent when your foot is at the lowest position.
3. Adjust the height as necessary by raising or lowering the seatpost.
4. After determining your seatpost height, use the torque wrench to tighten the seatpost collar bolt until you feel the tool click.



BICYCLE ASSEMBLY CHECKLIST

After you assemble your bike, complete this checklist:

- Handlebar and stem properly aligned? *(Step 3)*
- Faceplate bolts properly tightened? *(Step 4)*
- Pedals installed correctly and tightened? *(Steps 5-6)*
- Front wheel installed correctly? *(Step 9 or 11)*
- Seat height correct and seatpost collar bolt tightened? *(Step 13)*
- Tires inflated to correct pressure? *(Step 12)*
- Register your bicycle?
- Perform a pre-ride check?



Register your bike
at [trekbikes.com/
ProductRegistration](https://trekbikes.com/ProductRegistration)



Watch the Pre-Ride
Check video at:
[youtube.com/user/
trebikesusa](https://youtube.com/user/trebikesusa)

**RIDE BIKES
HAVE FUN
FEEL GOOD**

For information about your bike's warranty, please see
trekbikes.com/inside_trek/warrantied_for_life



If you have questions, please contact your local Trek
bike shop, call Trek Customer Care at 800-585-8735
from 9am – 5:30pm Monday – Friday CST, or chat
with us at trekbikes.com/contactus



**CERTIFIED AWESOME
BY TREK**

PN 5317403